



FLAME BOSS®

1 OVERVIEW

The Flame Boss Charger Hub is a device that reads temperature from Flame Boss Wireless Meat Probes and outputs a temperature sensor signal to your connected device. Plus, it charges the probes so you're always ready to cook! It offers two-way communication, meaning you can control it and get notifications without hassle. You can also adjust various settings for convenience, power, and range to suit your needs. This is a guide for easy set-up, use, maintenance, and troubleshooting.

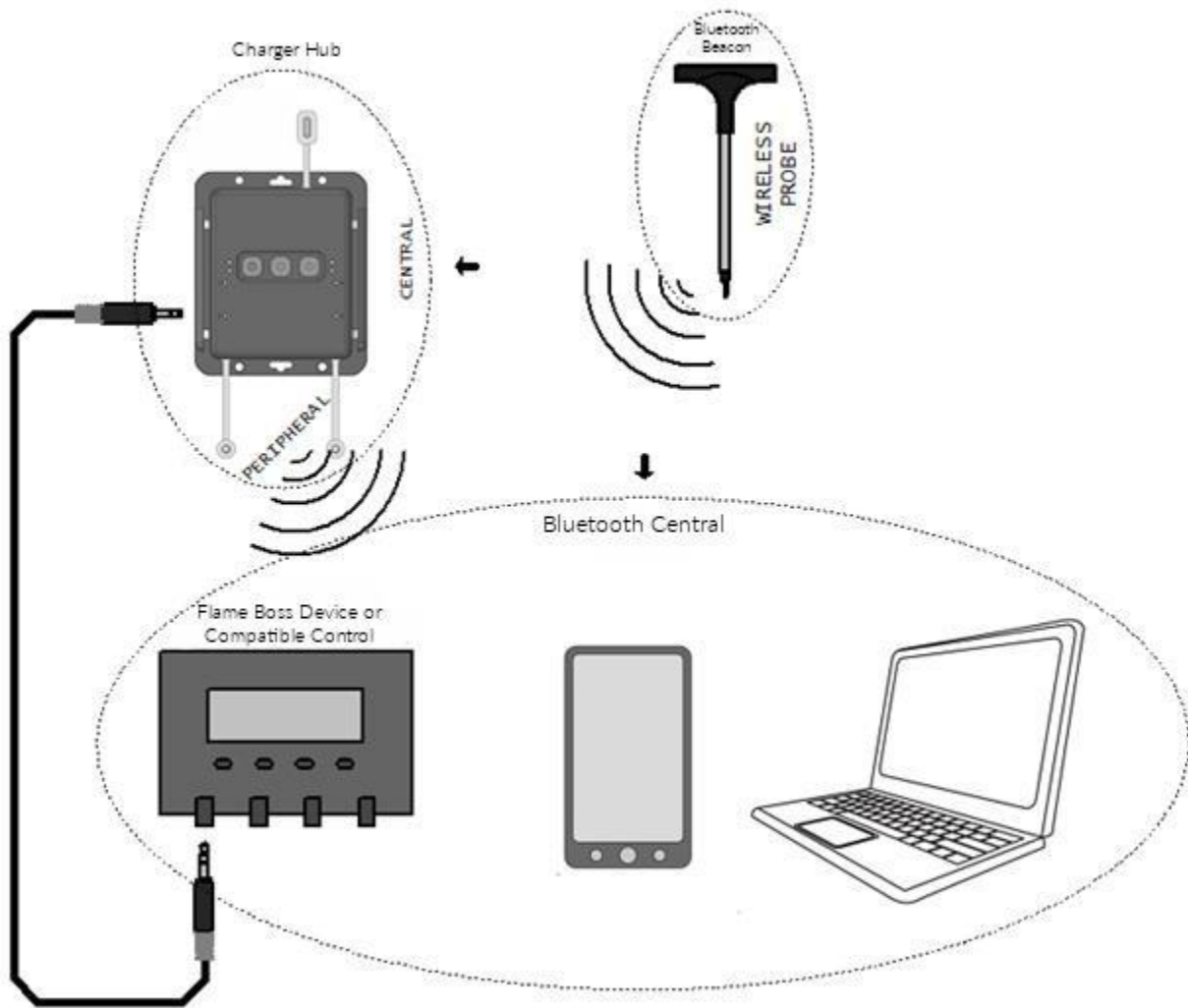


Figure 1: Interfacing with other devices

Figure 2

2 WHAT'S IN THE BOX?

- BT-WA Charger Hub
- FB-BPC Wireless meat probe
- 3.5mm adapter cable

3 POWER ON/OFF

- Press the power button to turn it on
- Hold the power button down for 3 seconds to turn it off

4 PROBE PAIRING

- Isolate all other probes except the target probe, moving them at least 10 ft away from the adapter box.
- Press and hold the probe pairing button for 3 seconds to initiate pairing. This opens a 45-second pairing window.
- A channel LED (yellow) blinks, indicating that the corresponding channel is ready for pairing to probe.
- To select a different channel for pairing, repeat the long button press until the channel LED corresponding to the desired channel blinks.
- Within the pairing window, bring a charged target probe as close as possible to the adapter box, preferably making contact between them. An ideal position is indicated in the figure below.
- Pairing is successful when the channel LED turns from blinking to solid yellow.

5 PROBE CHARGING

Insert probe into charging slot on the sides as shown in figure below. With power ON, charge the probe for 15-30 minutes. Two probes can be charged at the same time using the two slots.



Figure 3: Probe pairing position



Figure 4: Probe charging position

6 CONNECTING TO YOUR CONTROLLER

Connect the Charger Hub to your Flame Boss device or other controller that uses PT1000 RTD wired probes and 3.5mm plugs) using the included adapter cable. Make the connection from the desired probe port on the Hub to the desired meat probe input on your controller.

With the adapter box ON and paired probe, the yellow channel LED is ON. If connected to the controller, the control displays a temperature reading for its connected meat probe.

If a probe stops transmitting temperature (due to charge depleted, out of wireless range, charging or damaged probe), the adapter output will correspond to the last probe transmission for up to 2.5 minutes. After this it will register an invalid output, and the channel LED will be OFF.

7 BATTERY LIFE AND CHARGING

The typical run-time on single charge is 120-130 hours. The battery low indicator LED blinks red on battery low (18-30%) and is solid red when critically low (below 18%).

Charge from standard USB 5V through the USB-C input. Once plugged in, turn power ON for a fast charge (3-4hrs from empty) or charge while power OFF for slow charge (10-12hrs). Orange charge LED ON indicates charging and turns OFF after charging is complete.

8 MOUNTING

Select a flat, dry location away from extreme heat. The location should have an unobstructed path to the typical location of probes during use. Metal encapsulation such as grill hood can reduce or block wireless signal.

Mount to a magnetic surface using the magnet in the rear, or by screws through the holes in the mounting flange.

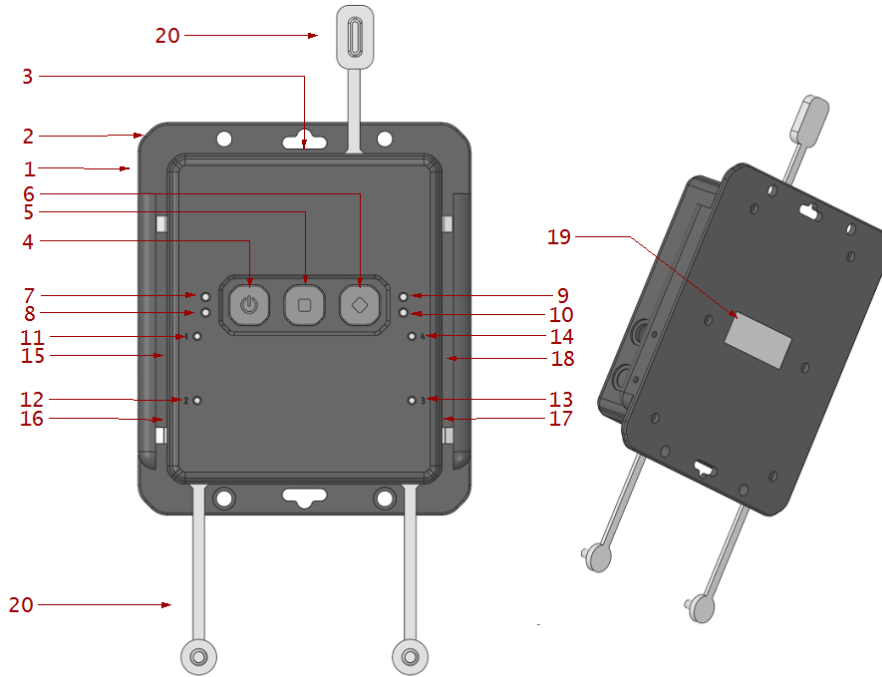
9 MAINTENANCE AND CARE

- Moisture protection
Rubber seal gaskets and plugs are offered for moisture protection, though the device is not moisture-proof. Keep in a dry place away from moisture. Insert the rubber plugs into any openings (USB or channel port) that are not in use.
- Operating temperature
Keep away from hot surfaces or extreme temperatures beyond the specified operating temperature range of -75°F to +185°F.
- Cleaning
Use dry or damp cloth. Avoid wet cloth or any submersion in liquid

10 TROUBLESHOOTING

- Doesn't power ON
Battery may be empty. Plug in to charge and retry
- Doesn't power OFF
Button press may be too short. Press and hold 2-3 seconds
- Pairing unsuccessful
If pairing window times out or no channel LED blinks, re-initiate pairing – press and hold pairing button for 2-3 seconds. If it is still unsuccessful, restart by quick press and release on the power button
- Invalid temperature reading on control
 - Check the channel. Make sure that channel LED is ON, indicating valid output.
 - If channel LED is OFF, Check probe. Make sure it's charged, and not currently charging. Make sure that it's within 12 ft clear sight range or that there's no complete metal barrier between probe and adapter that would block wireless signal. Make sure it is paired to the channel, repeat pairing if in doubt
 - If channel LED is ON, check the connection between channel and meat probe input on the control. Make sure that the adapter cable is correct and is properly oriented and well plugged in. Restart the adapter, if necessary, by quick press and release of power button
- Contact Flame Boss Customer Support at support@flameboss.com or call 800-978-9078 for additional assistance.
- This manual is available on our website at flameboss.com/support/

FB-BPC WIRELESS PROBE & CHARGER HUB USER GUIDE



2	Mounting flange	For screw or hook mounting
3	USB-C input/charging port	Charge the non-removable lithium ion/polymer battery
4	Power button	Quick release ~1s = OFF -> ON or ON -> restart; long press 2-3s = ON -> OFF
5	Wireless configuration button	Only in peripheral role: whitelist ON/OFF, disconnect, delete bonds
6	Probe pairing button	Long press 2-3s to initiate a pairing probe to a channel
7	Power LED, green	Green = power ON and scanning for wireless probes
8	Charge LED, Orange	Yellow = Charging
9	Wireless peripheral LED, blue	Blue blink = advertising, solid = connected
10	Battery low LED, red	Red blink = low battery, solid red = critically low battery
11	Channel 1 LED, yellow	Rapid blink = pairing active, solid = valid readings from paired probe
12	Channel 2 LED, yellow	
13	Channel 3 LED, yellow	
14	Channel 4 LED, yellow	
15	Channel 1 port	3.5mm stereo jack, output analog PT1000 temperature sensor value
16	Channel 2 port	Not used
17	Channel 3 port	
18	Channel 4 port	
19	Magnet mount, back side	Magnet mount
20	Rubber seal plugs	Silicone rubber seals for USB and stereo ports